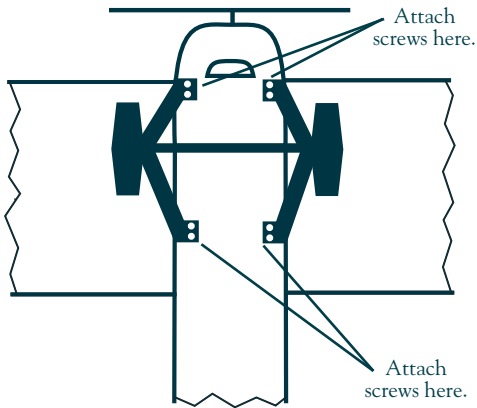


AP203 - Desktop Fokker Triplane

1. Remove the plane and wheel assembly from the box.
2. Set the plane upside down lying on the wings.
3. Align the holes on the wheel assembly with the holes on the bottom of the fuselage.
4. Locate the bag of screws; there should be 8 of them.
5. Attach the screws to secure the wheel assembly to the fuselage.



The Netherlands
AM NL
Ambachtsweg 37
NL-3899 AM
Zeewolde

United States
AM USA
888 Garfield
P.O. Box 21710
Eugene, OR 97402

AUTHENTIC MODELS

